

EasyLED Ring Lights

for stereo microscopy



The EasyLED Ring Light delivers highly homogeneous and shadow-free illumination in a tough metal housing and well-designed heat sink. The EasyLED Ring Light Plus has the advantage of controllable segments to enable new contrasting methods, while the integrated 'jog dial' element provides simple and intuitive switching between illumination modes, as well as rotation of the segments in both directions.

Features:

- Powerful luminance (90/140 klux for EasyLED Ring Light and Ring Lights Plus respectively).
- Integrated controller.
- Mountable direct to the microscope objective.
- EasyLED Ring Light Plus is segmentable with eight segments.

Advantages:

- Various contrasting methods thanks to different segment modes.
- Easy to use thanks to integrated operational elements.
- Robust design for operation in demanding environments.

Technical Specifications:

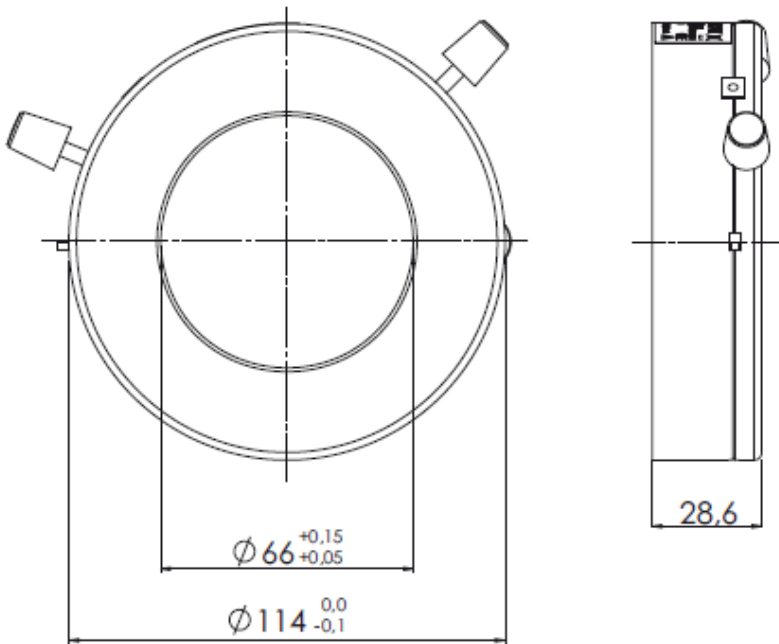
General		EasyLED Ring Light	EasyLED Ring Light Plus
Part No.		600.200	600.300
Dimensions – (OD x H, ID)	(mm / inch)	114 x 29, 66 / 4.49" x 1.14, 2.60"	
Weight	(kg)	Approx. 0.6	
Free Working Distance	(mm / inch)	55 - 135 / 2.17" - 5.31"	50 – 130 / 1.97" - 5.12"
Cooling		convection	
Electrical			
Operating voltage, frequency		100 – 240 V ~, 50 – 60 Hz	
Input voltage	(V)	12 DC	
Power consumption	(VA)	max. 6	
Protection class power supply		II	
Protection class light head		III	
Overvoltage category		I	
Lamp type		High Power LEDs	
Lamp lifetime	(h)	50.000 ¹	
Lighting information			
Light intensity, max.	(lx)	90.000 at a working distance of 75 mm	140.000 at a working distance of 65 mm
Color temperature	(K)	Approx. 5.600	
Certificates			
Conformity		CE, UKCA (power supply unit CE, UL, PSE)	
EMC-class		B	

¹ max. decline of light output to 70% of origin level

We provide a variety of accessories for our EasyLED Series. For details please refer to our system diagrams or according datasheets.



Dimensions



Pictures are provided for illustration purposes only, and may not provide an accurate reflection of the actual product.

All specifications are subject to change without prior notice. This datasheet or any extracts thereof may only be used in other publications with express permission of SCHOTT. © SCHOTT AG

Lighting and Imaging
SCHOTT AG
Hattenbergstrasse 10
55122 Mainz
Germany
Phone: +49 (0) 6131/66-7796
Fax: +49 (0) 6131/66-7850
info.microscopy@schott.com
www.schott.com/microscopy

SCHOTT
glass made of ideas