

ColdVision Ring Lights

for ColdVision light sources



SCHOTT ColdVision Ring lights offer absolute shadow-free illumination. Using a range of diameters and mechanical adapters, the ring lights can be configured to fit many different objective sizes.

Features:

- The "Universal Ring Light" fits microscope and camera objectives from 33 to 81 mm with appropriate clamps
- 4" Ring Light is available with randomized fiber bundle for optimum uniformity.
- With housing made of rugged, black anodized aluminum, and the fiber bundle protected with flexible metal PVC sheathing, SCHOTT Ring Lights are tough, dependable and long-lasting.

Advantages:

- Annular Ring Lights offer absolute shadow-free illumination.
- Vertical exit bundle option increases work space and prevents the bundle from interfering with surrounding objects.
- ESD (Electro Static Discharge) option is available.

Mini, Midi and Maxi Ring Light

Description	Part No.	Working distance (FWD)	Objective Diameter	Inner Ø (ID)	Outer Ø (OD)	Bundle length	Polarizer / Analyzer
Mini Ring Lights	A08650*	0.5" - 1.5" (13 - 38 mm)	19 to 32.5 mm	1.28" (32,5 mm)	2" (50.8 mm)	40" (1016 mm)	A08652*
	A08660* ¹	1.5" - 4" (38 - 102 mm)		1.28" (32,5 mm)	2" (50.8 mm)		A08652*
Midi Ring Lights	A08630*	1.25" - 3.5" (32 - 89 mm)	38 to 53 mm	2.09" (53,1 mm)	2,31" (58,7 mm)		A08632
Maxi Ring Lights	A08700* ²³	2" - 8" (51 - 203 mm)	N/A	4" (102 mm)	9.98" (127 mm)	30" (762 mm)	A08705
	A08710* ³	2.5" - 4.5" (64 - 114 mm)	N/A	7.5" (191 mm)	8.95" (227 mm)	40" (1016 mm)	-

66mm & Universal Ring Light

Description	Part No.	Exit	Working distance (FWD)	Objective Diameter	Bundle length (K)	Polarizer / Analyzer
66 mm Ring Light	A08625	Standard	1.5" - 6" (38 - 152mm)	66mm	33" (838mm)	A08615
Universal Ring Light	A08600	Standard	1.5" - 6" (38 - 152 mm)	1.9" - 2.4" (47 - 62 mm)	33" (838 mm)	A08615

Darkfield Ring Light

Description	Part No.	Exit	Working distance (FWD)	Inner Ø (ID)	Outer Ø (OD)	Bundle length (K)
Darkfield Ring Light	A22780 ⁴	Standard	0" - 0.25" (0 - 6.35mm)	4.03" (102mm)	5.25" (134mm)	30" (762mm)

* Made-to-order products

¹ 29% more fiber than A08650 ring light

² Randomized fiber bundle maximizes uniformity

³ Requires an adapter (A08931) due to the size of the input

⁴ Remove the reflector ring to create a long working distance Ring Light (A08700).

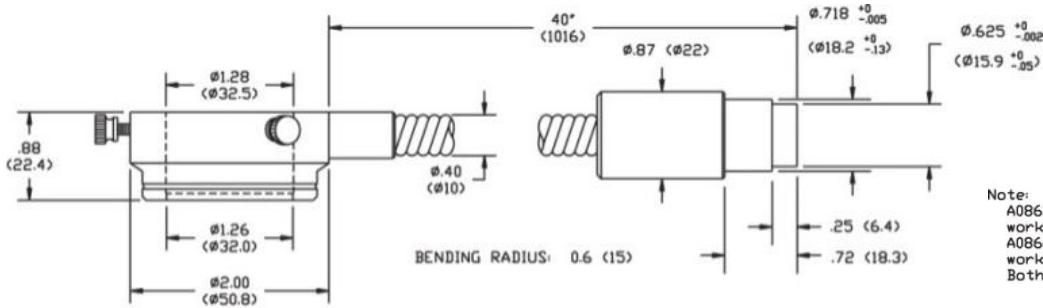
Custom configurations available. Compatible accessories available. See ColdVision-Accessories data sheet.

Warning : This product is manufactured with glass fiber. Not for use in cable/hose carrier. Call SCHOTT to discuss moving cable/hose carrier applications.

SCHOTT
glass made of ideas

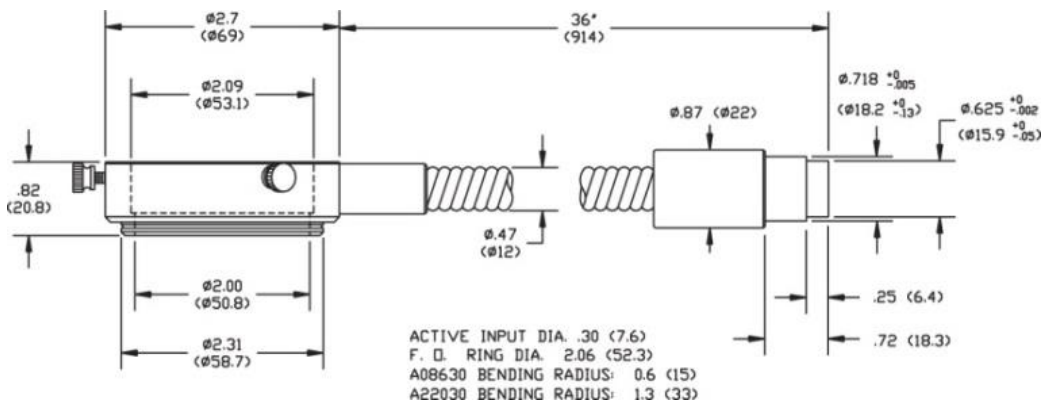
Mini, Midi and Maxi Ring Lights: Dimensions

Ringlight Input: Black Anodized Aluminum or Conductive Finish
 Bundle Sheathing: PVC Covered Metal Tubing or Stainless Steel

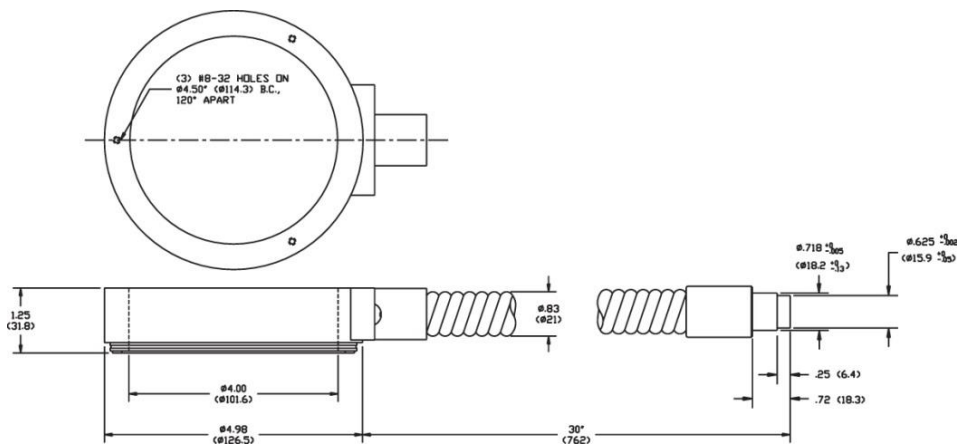


Note:
 A08650 has an active fiber dia. of .22 (5.6) for a working distance of .5 to 1.5' (13 to 38mm).
 A08660 has an active fiber dia. of .25 (6.4) for a working distance of 1.5 to 4' (38 to 102mm).
 Both have F. D. ring dia. of 1.32 (33.5).

A08650 & A08660 - 19 / 32.5 mm Ring Lights



A08630 - 38 / 53 mm Ring Light

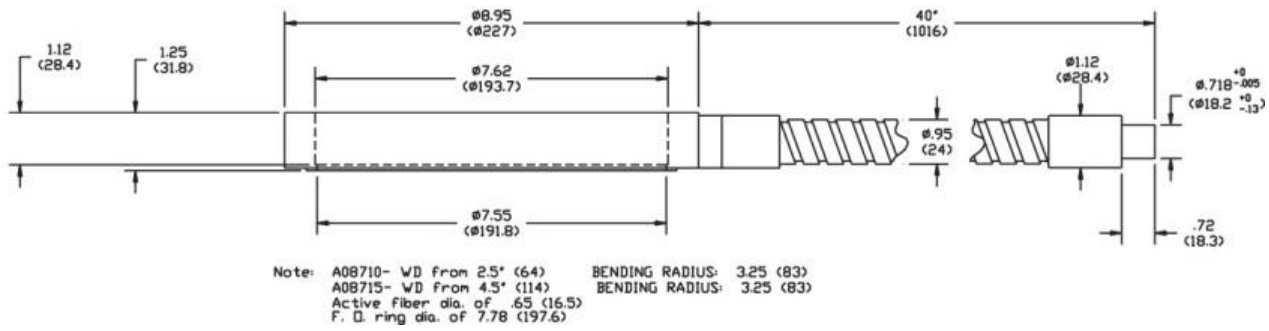


A08700 - 4" Ring Light

Dimensions in () are in mm

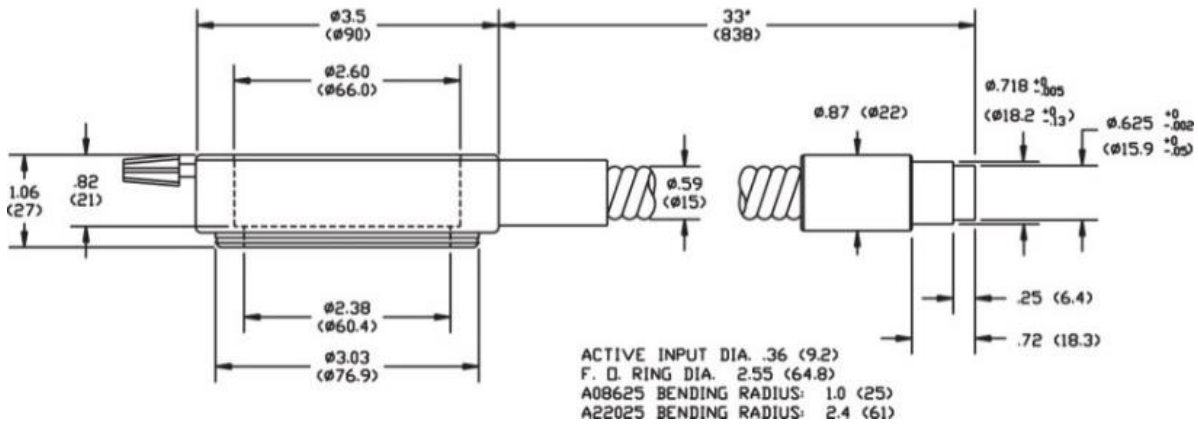
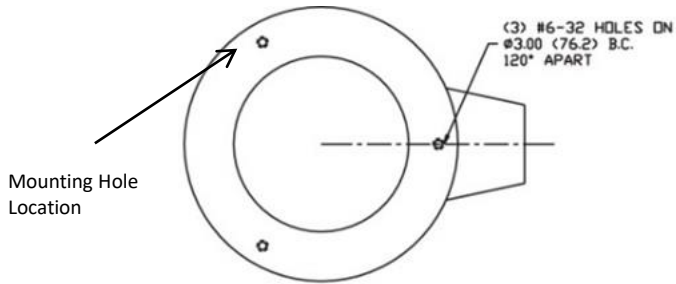
Warning: This product is manufactured with glass fiber. Not for use in cable/hose carrier. Call SCHOTT to discuss moving cable/hose carrier applications.

SCHOTT
 glass made of ideas



A08710 - 8" Ring Light

58 and 66mm Ring Light: Dimensions



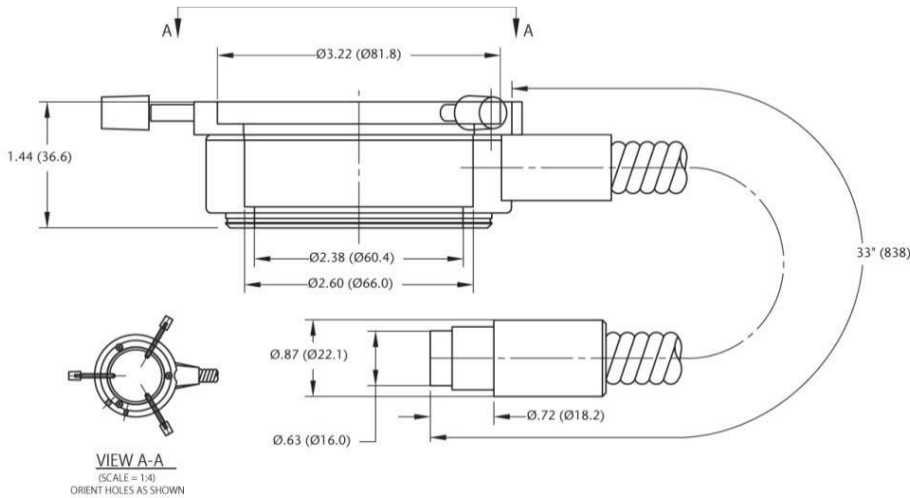
A08625

Dimensions in () are in mm

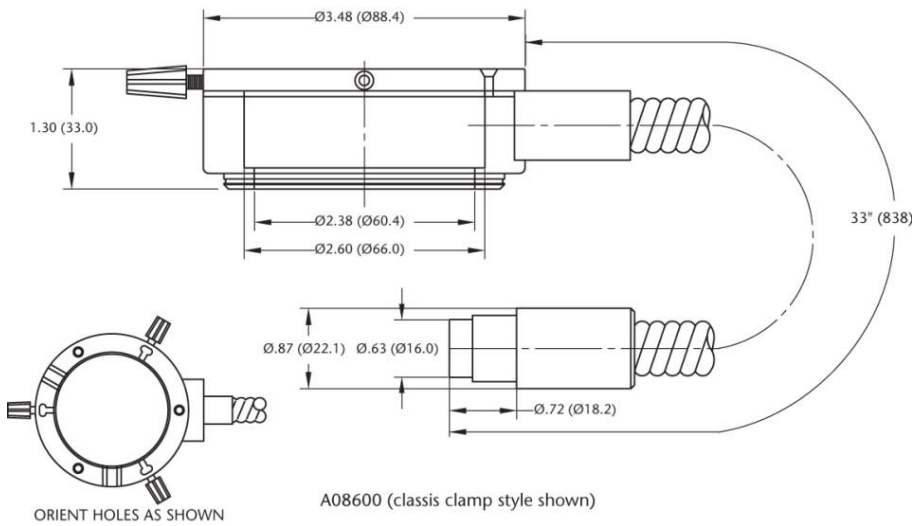
Warning: This product is manufactured with glass fiber. Not for use in cable/hose carrier. Call SCHOTT to discuss moving cable/hose carrier applications.

SCHOTT
 glass made of ideas

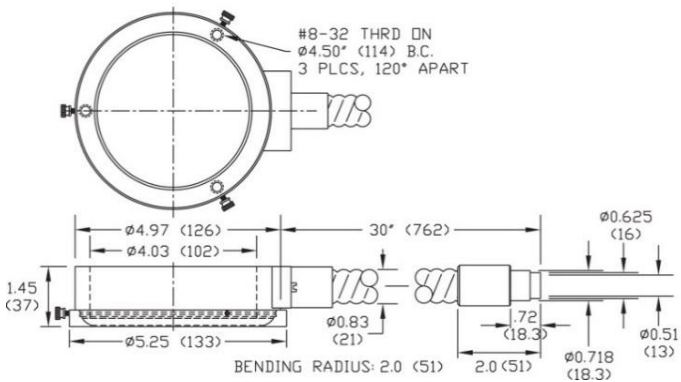
Universal Ring Light: Dimensions



A08600.1 with new clamp style



Darkfield Ring Light: Dimensions



A22780

Warning : This product is manufactured with glass fiber. Not for use in cable/hose carrier. Call SCHOTT to discuss moving cable/hose carrier applications.

All specifications are subject to change without prior notice. This datasheet or any extracts thereof may only be used in other publications with express permission of SCHOTT. © SCHOTT AG

Dimensions in () are in mm

Lighting and Imaging
SCHOTT AG
 Hattenbergstrasse 10
 55122 Mainz
 Germany
 Phone: +49 (0) 6131/66-7796
 Fax: +49 (0) 6131/66-7850
 lightingimaging@schott.com
 www.schott.com/coldvision

SCHOTT
 glass made of ideas