

EasyLED Back Light

for stereo microscopy



The EasyLED Back Light integrates high brightness LEDs with controller electronics into the head of the illuminator, offering easy and ergonomic operation. Made with a SCHOTT Opalika® glass surface, it's ideal for transparent specimens

Features:

- Powerful light density up to 12,000 cd/m².
- Continuous dimming from 0-100%.
- Integrated controller.
- Scratch-resistant surface.

Advantages:

- Made with SCHOTT Opalika® for perfect homogeneity.
- Easy to use thanks to integrated operational elements.
- Robust design for operation in demanding environments.

Technical Specifications:

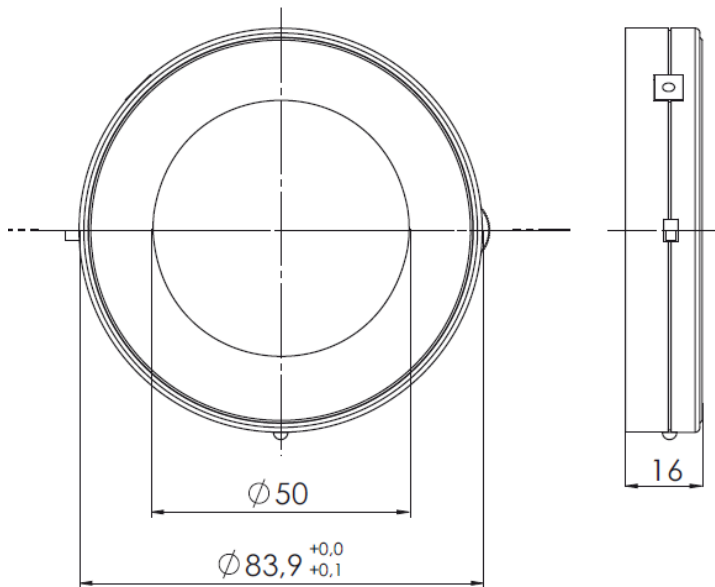
General		
Part No.		600.400
Dimensions – (OD x H)	(mm / inch)	83,9 x 16 / 3.3" x 0.63"
Weight	(kg)	Approx. 0.6
Cooling		convection
Electrical		
Operating voltage, frequency		100 – 240 V ~, 50 – 60 Hz
Input voltage	(V)	12 DC
Power consumption	(VA)	max. 6
Protection class		II
Overvoltage category		I
Lamp type		High Power LEDs
Lamp lifetime	(h)	50.000 ¹
Lighting information		
Luminance, max.	(cd/m ²)	12.000
Color temperature	(K)	Approx. 5.600
Certification marks		
Marking		CE, (power supply unit CE, UL, PSE)
EMC-class		B

¹ max. decline of light output to 70% of origin level

We provide a variety of accessories for our EasyLED Series. For details please refer to our system diagrams or according datasheets.



Dimensions



Pictures are provided for illustration purposes only, and may not provide an accurate reflection of the actual product.

All specifications are subject to change without prior notice. This datasheet or any extracts thereof may only be used in other publications with express permission of SCHOTT. © SCHOTT AG

Lighting and Imaging
SCHOTT AG
Hattenbergstrasse 10
55122 Mainz
Germany
Phone: +49 (0) 6131/66-7796
Fax: +49 (0) 6131/66-7850
info.microscopy@schott.com
www.schott.com/microscopy

SCHOTT
glass made of ideas